

# LCM-31 Series Induction Motor

ELINTA MOTORS LCM.31-110-X-XX

2018-10-15



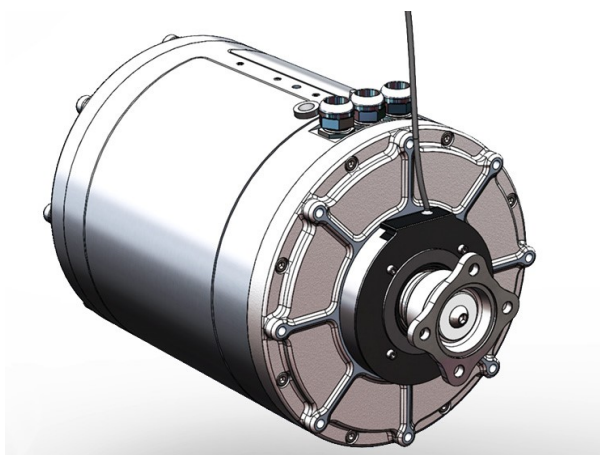
Elinta Motors LCM.31 Series liquid cooled induction motor is designed for heavy duty direct driveshaft application.

Motor is designed to drive on-road vehicles up to 7.5t weight.

In combination with Elinta Motors EDS.23 motor controller it provides up to 150 kW in peak power and 1150Nm torque at 400VDC.

- 100% Electric vehicles
- Plug-in Hybrid vehicles
- Heavy Machinery
- Custom applications
- Marine applications

## Key Features



- 3 Phase Induction Motor
- Liquid Cooled
- Integrated encoder
- Low torque ripple
- Double ended shaft
- Dual temperature sensors
- Epoxy encapsulated stator
- PowerLok series quick connector
- IP9k9k Protection class
- 92% Efficiency

## Power

Dimensions  
308 Dia. x 512 mm

- Typical working voltage: 350-450V
- R-85 - 30 min power: 100 kW
- R-85 - 30 min torque: 550 Nm
- Peak Power: 150 kW
- Peak Torque: 1150 Nm

## Other Features

- Insulation Class - H-180C
- Max Phase Current: 630 A
- Coolant 50/50 water-glycol
- Coolant Flow: 12 L/min
- Working temperature: -40 C - 85 C
- Weight 104 kg

## Drawings

